

PUMP FILTER STATION

series FNS

INTENDED USE

Pump filter station FNS series is designed for pumping, filtration and supply for filling of technical, chemical and food products. For pumping of products pneumatic bi-diaphragm pump is used. Depending on the sort of pumping products pumps are completed by membrane and holding valve made of different materials: santoprene, teflon, neoprene and others.

24



FNS.01 - For gravimetric packing
Is designed for pumping and filtration of liquids, operates with semi-automatic devices PRK.01, PRK.02 series and others.

FNS.02 - For volumetric packing
Is designed for pumping and filtration of liquids, operates with semi-automatic devices PRK.06, PRK.08, PRK.50 series and others.

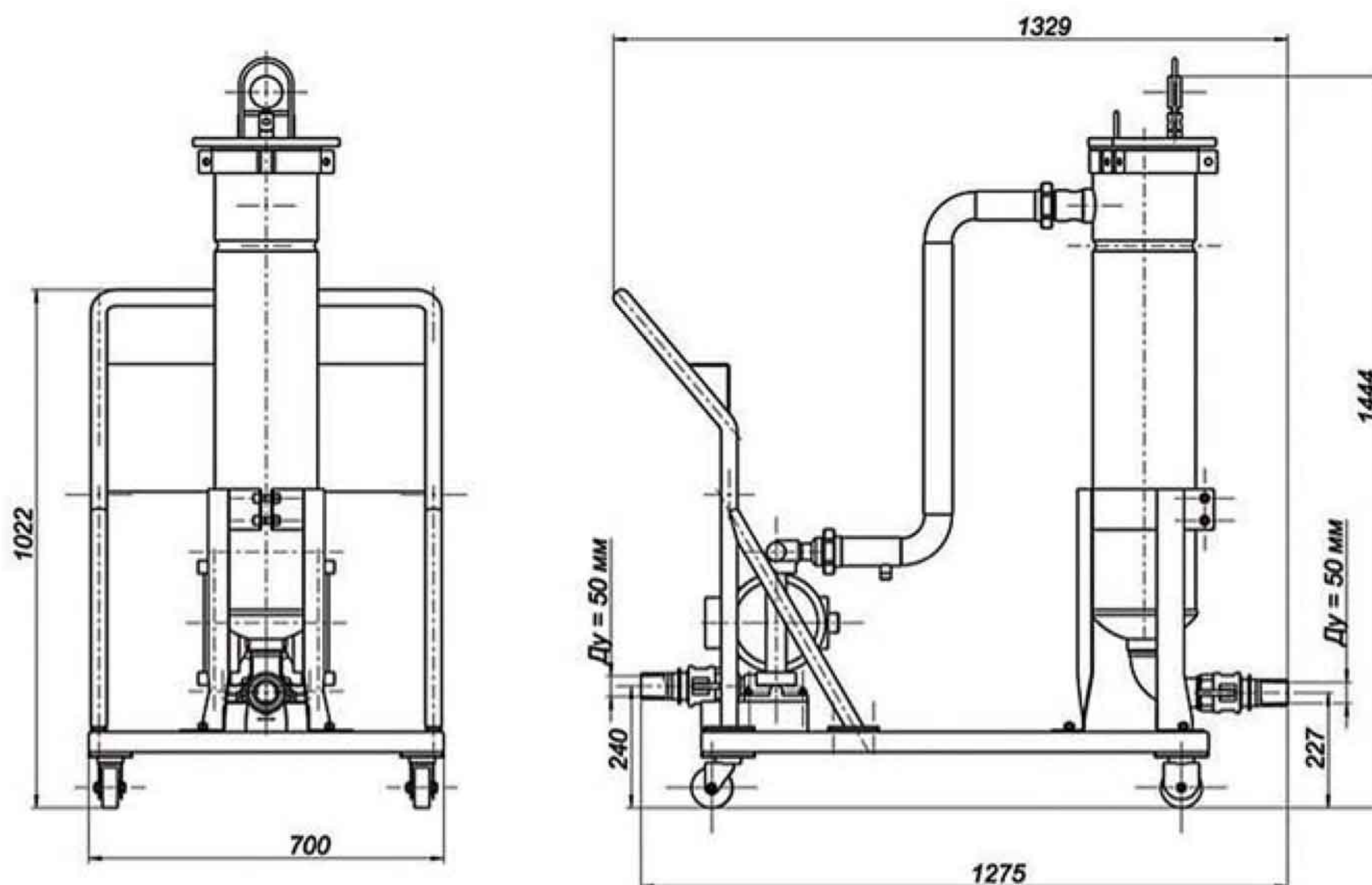
Technical characteristics

Max air consumption: Pump 1" (Pump 1 ½ ")	- 68 m ³ /hour (85 m ³ /hour)
Max productivity (on water) Pump 1" (Pump 1 ½ ")	- 170 L/min(401 L/min)
Max operation pressure	- 8 bar
Max size of pumping hard particles(depends on pump's mark)	- 3-6 mm
Product supply (D 50)	- 2"
Weight, not more, kg	- 80

SERVICE CONDITIONS : Machine is completely adapted for EX explosive environment operation (Russian GOZGORTECHNADZOR Certificate)



At the request FNS can be completed by SandPiper and Yamada pumps.
 For product filtration it is used filtration system BMF.1.2.304.045.1. of Ircom-EKT production.



25

Liquid filtration systems

INTENDED USE

chemical industry, paint and coatings industry, food industry, clearing and treatment of water (liquids)

Completing units

Ballon model BMF.1.2.304.045.1	
Filter bag	1 unit
Size of filter bag № 2 (mm)	Ø=180, L=810
Filter area (m ²)	0.45
Volume of filter element (dm ³)	17.3
Max operating pressure (bar)	10
Material of ballon, filter basket and pressing – steel	
Overall dimintions, mm	1360/400/400
Weight, kg	25

Additional completing units

- Indicator of filter dirtiness
- Displacer
- Connection elements (collars and others)

Filter element

Filter bags
 size: N02 (Ø=180mm, L=810mm)
 material: nylon, polyether felt
 selectability, micron
 - nylon: 25; 50; 100; 200; 250; 300; 400; 600
 - polyether felt: 1; 3; 5; 10; 25; 50; 100; 200

O-ring – made of galvanized steel (S)
 Max operating temperature: nylon 200°C, polyether felt 190 °C
 Depending on filter product material of filter bag can be: polypropylene, NOMEX, viscose, wool
 Changeable filter element can be:
 Eaton Filtration LLC,
 Амафилтър ИСТ,
 FSI Filter Specialists, INC



liquid filtration